

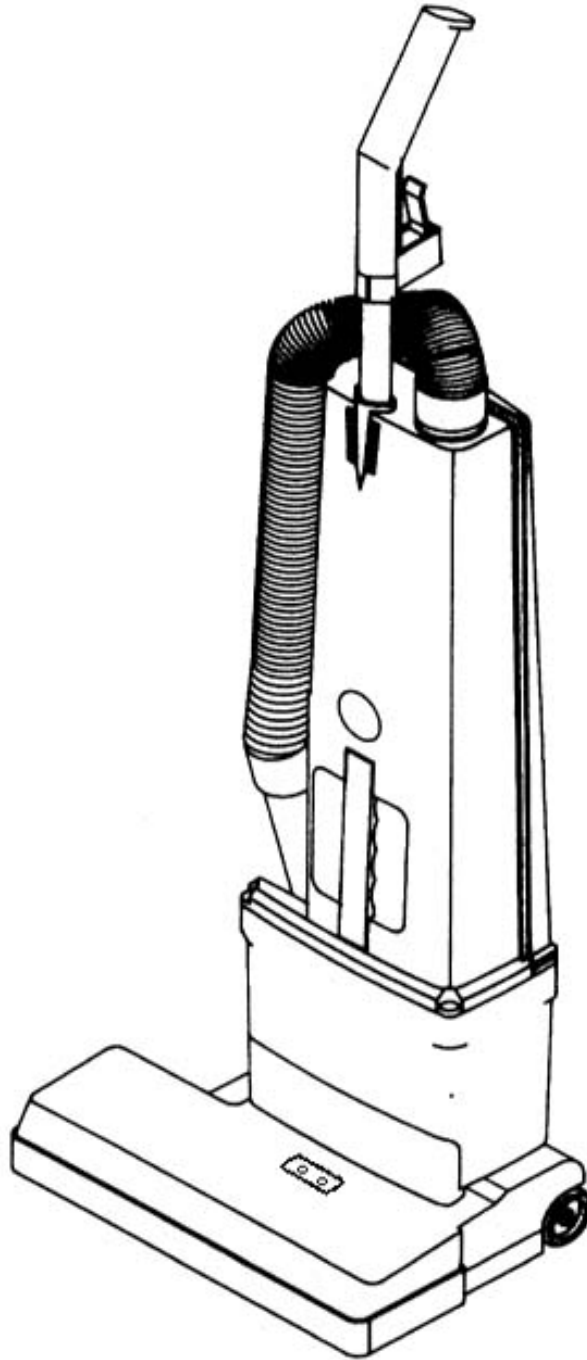


**Model: PS-2**

**ProSense II**

**Item # 49001**

OPERATION ■ SERVICE ■ PARTS ■ CARE



For your convenience record this important information  
Serial Number: \_\_\_\_\_ Date of Purchase: \_\_\_\_\_

## FOR COMMERCIAL USE ONLY

### IMPORTANT SAFETY INSTRUCTIONS

When using an electrical appliance, basic precautions should always be followed, including the following:

#### READ ALL INSTRUCTIONS BEFORE USING

**WARNING** -To reduce the risk of fire, electric shock, or injury: Do NOT use this product outdoors or on wet surfaces.

- Do not leave vacuum plugged in. Unplug from outlet when not in use and before servicing.
- Never allow children or untrained adults to operate this equipment.
- Keep the area of operation clear of all persons, particularly small children, and pets.
- Use only as described in this manual. Use only manufacturer's recommended attachments.
- Do not use: with damaged cord or plug, if appliance is not working as it should, has been dropped, damaged, left outdoors, or dropped into water. Have unit repaired at a qualified service center prior to use.
- Do not pull or carry by cord, use cord as a handle, close a door on cord, or pull cord around sharp edges or corners. Do not run appliance over cord. Keep cord away from heated surfaces.
- Do not unplug by pulling on cord. To unplug, grasp the plug, not the cord.
- Do not handle plug or appliance with wet hands.
- Do not put any object into openings. Do not use with any opening blocked; keep free of dust, lint, hair, and anything that may reduce air flow.
- Keep hair, loose clothing, fingers, and all parts of body away from openings and moving parts.
- Do not pick up anything that is burning or smoking, such as cigarettes, matches, or hot ashes.
- Do not use without dustbag and/or filters in place.
- Turn off all controls before unplugging.
- Use extra care when cleaning on stairs.
- Do not use to pick up flammable or combustible liquids such as gasoline or use in areas they may be present.
- Connect to a properly grounded outlet only. See grounding instructions.
- This appliance is not suitable for removal of dusts that are dangerous to health.
- This appliance is suitable only for dry cleaning and must not be used outdoors.
- The power cord should be inspected regularly for signs of damage. Do not use if the cord is damaged.

#### SAVE THESE INSTRUCTIONS

## INSPECTION

Carefully unpack and inspect your machine for shipping damage. Each unit is tested and thoroughly inspected before shipment, and any damage is the responsibility of the delivery carrier who should be notified immediately. Record date of purchase and serial number on the front of this manual.

## USER MAINTENANCE INSTRUCTIONS

All service and repair should be performed by a qualified service center. No user serviceable components are employed in the electrical system.

No lubrication of the motor is required.

When not in use wrap cord around storage hooks located on back of machine.

This equipment should be stored indoors and not exposed to the elements.

## ELECTRICAL - Model PS-2

This machine is designed to operate on a standard 15 amp, 120 volt, 60 hz, AC circuit. Voltages below 105 volts AC or above 125 volts AC could cause serious damage to the motor.

## WARNING

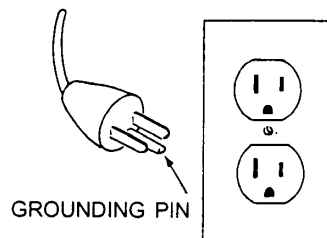
Electric motors can cause explosions when operated near explosive materials or vapors. Do not operate this machine near flammable materials such as solvents, thinners, fuels, grain dust, etc.

## GROUNDING INSTRUCTIONS (120V only)

This appliance must be grounded. If it should malfunction or breakdown, grounding provides a path of least resistance for electric current to reduce the risk of electric shock. This appliance is equipped with a cord having an equipment-grounding conductor and grounding plug. The plug must be plugged into an appropriate outlet that is properly installed and grounded in accordance with all local codes and ordinances.

**DANGER** - Improper connection of the equipment-grounding conductor can result in a risk of electric shock. Check with a qualified electrician or service person if you are in doubt as to whether the outlet is properly grounded. Do not modify the plug provided with the appliance — if it will not fit the outlet, have a proper outlet installed by a qualified electrician.

This appliance is for use on a nominal 120-volt circuit and has a grounding plug that looks like the plug illustrated in sketch below. Make sure that the appliance is connected to an outlet having the same configuration as the plug. No adapter should be used with this appliance.



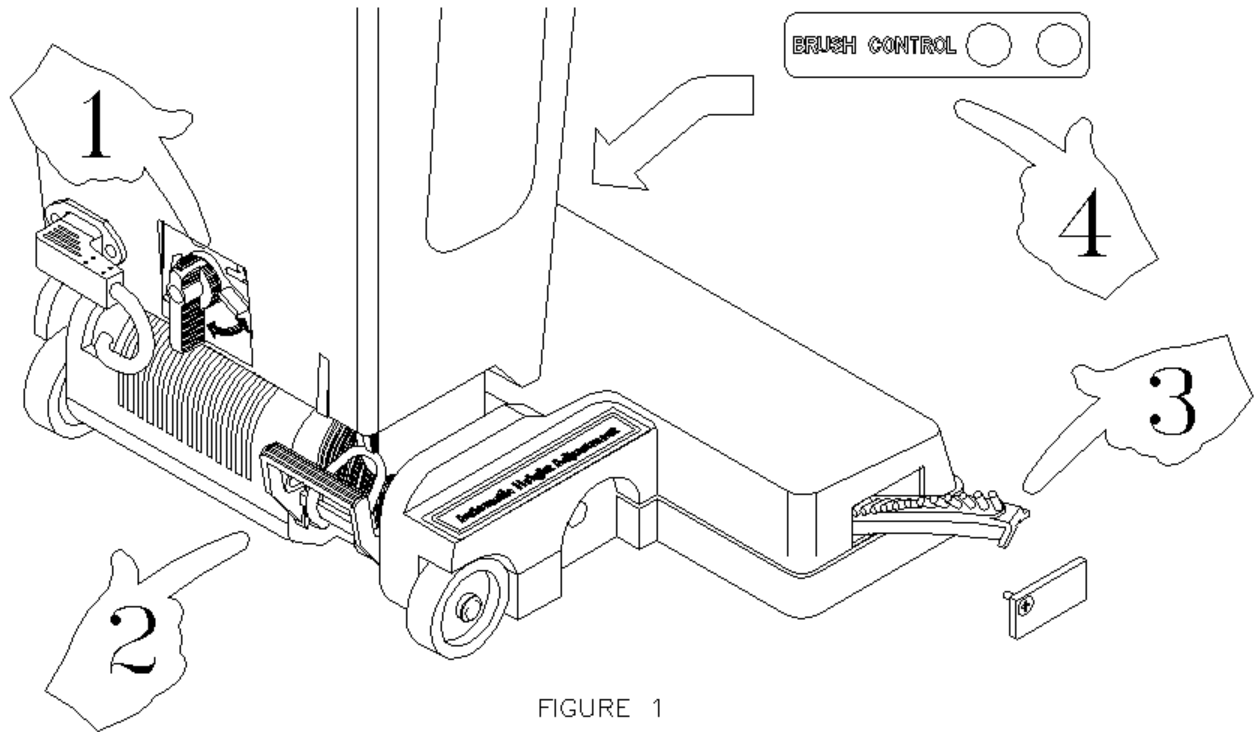


FIGURE 1

## **GENERAL INSTRUCTIONS**

**CAUTION: Unplug unit from electrical outlet.**

### **1. Installation/Removal of Brush Head**

Brush head can be removed by turning knob to the right. The brush head can now be separated from vacuum housing (see figure 1, number 1).

### **2. Handle Release**

To release the machine from upright position, push down on foot release (see figure 1, number 2).

### **3. Bristle Insert Replacement**

Remove cover and pull brush strip out. Insert new brush strip and push it in all the way. Replace cover (see figure 1, number 3).

### **4. Brush Control**

If brush control light is red (see Figure 1, number 4), turn off unit and check brush head for any obstructions. Remove any foreign objects from brush head and inspect drive belt.

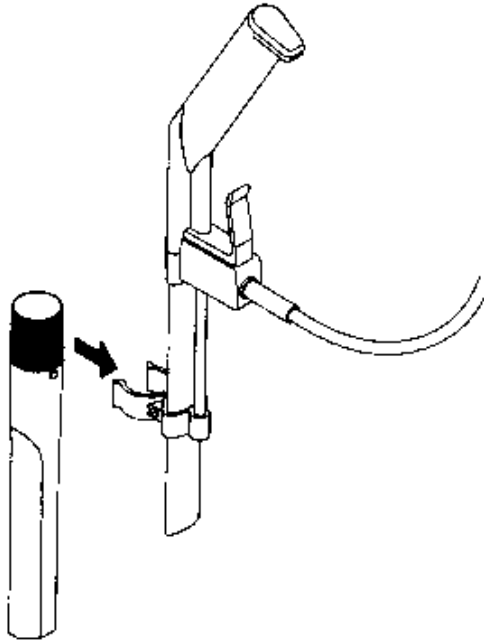


Figure 1

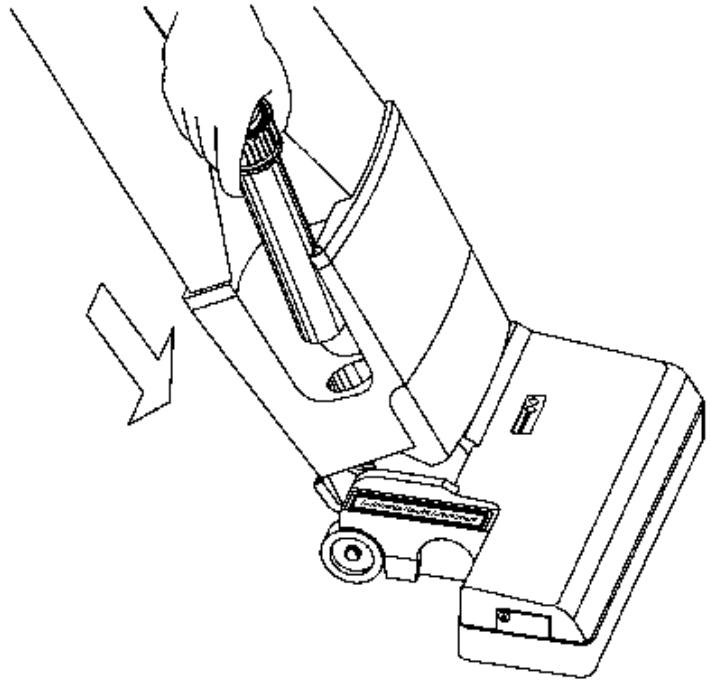


Figure 2

### 1. Tool Storage

Tools should be installed as shown in Figure 1. The smaller lower section of the tools should be snapped into the retainers.

### 2. Accessory Hose (Figure 2)

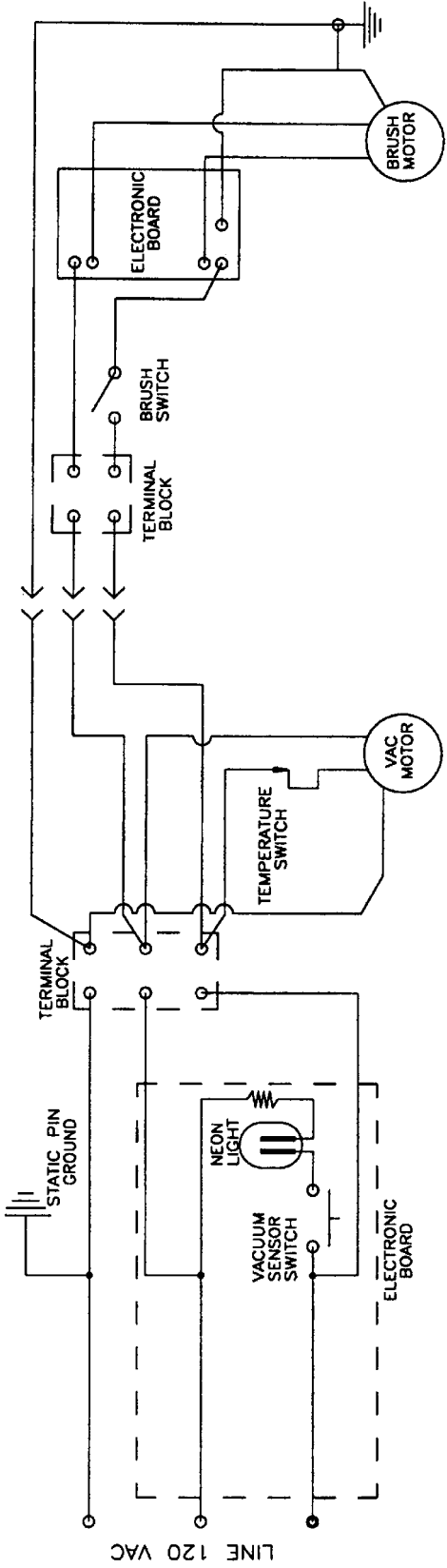
The vacuum hose can be removed from base of unit and used as is or with accessory tools. Simply pull out from base to use. NOTE: The brush motor turns off when the hose is removed from the housing.

### 3. Full Bag Indicator

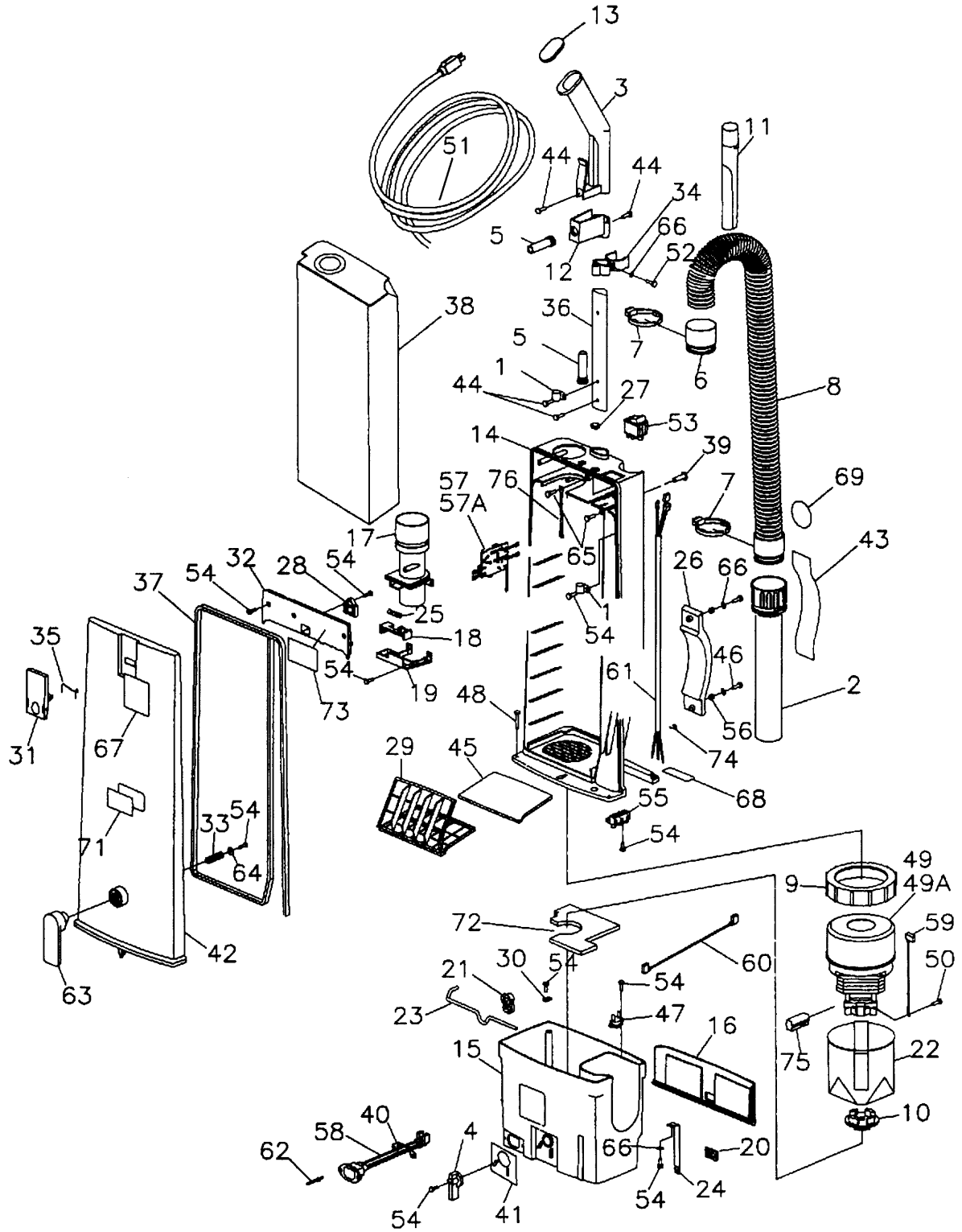
The red indicator light (at top of bag housing) will illuminate when the collection bag is full or when there is a blockage in the hose or brush head. Indicator light is next to on/off switch.

**WIRING DIAGRAM 120 VAC**

**WIRING DIAGRAM 120 VAC**



# UPPER ASSEMBLY – PARTS DIAGRAM

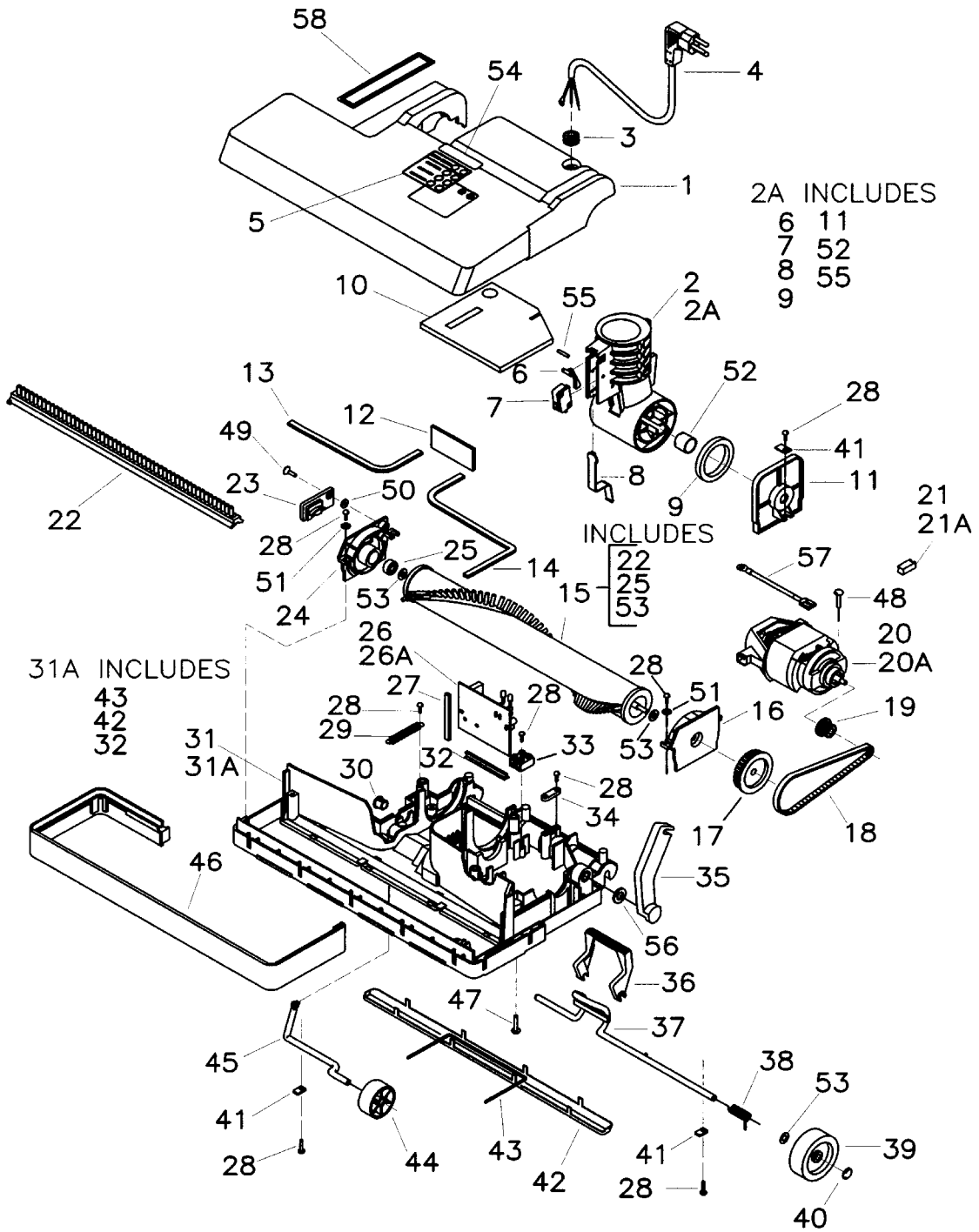


## UPPER ASSEMBLY PARTS LISTS

Item	Part No.	Qty.	Description	Item	Part No.	Qty.	Description
1	250039	2	CLAMP-PLASTIC 5/16 3305	45	730203	1	FILTER-HOSPITAL PKG 10
2	370012G	1	WAND UPRIGHT LT GREY	46	710130	2	SCR-MC 8-32 X .62 NICKEL
3	370156	1	HANDLE GREY	47	740250	1	THERMODISC-290TWIN
4	370019	1	HSG RELEASE KNOB BLACK	48	710362	4	SCR-MC 10-32X1.25 ST PL
5	370026	2	CORD STRAIN RELIEF GREY	49	740704	1	MOTOR-VAC 120V 6378-07
6	370027G	2	HOSE LOC FITNG LT GREY	50	711124	1	SCR-ST-B 10 X .37 NI
7	370029G	2	HSE LOC RING LT GREY	51	740705-1	1	CORD-18GA-3 40FT ORANGE
8	370036G	1	HOSE-VAC UPRIGHT LT GREY	52	711161	1	SCR-HI/LO #10 X 3/4 ZINC
9	370057	1	VAC MOTOR GASKET	53	740711	1	SWITCH-212FGOC4OAO5
10	370072	1	VAC MOTOR DAMPENER	54	711181	14	SCR-ST-B HI-LO 8 X .50 ZINC
11	370097	1	CREVICE TOOL	55	740726	1	TERM SCREW / TAB
12	370159	1	CORD RETAINER GREY	56	711372	2	NUT-NYLOC 8-32
13	370160	1	HANDLE CAP GREY	57	740734	1	CIRCUIT BRD-PC MULTI VAC 120V
14	370300	1	GREY UPPER HOUSING FRONT	57A	740727	1	CIRCUIT BRD-PCB RFI W/BAG SWIT
15	370301	1	GREY HOUSING VAC MTR	58	740728	1	RECEPTACLE-AC POWER
16	370315	1	GREY FILTER /DOOR ASY	59	740730	1	16G GRN/YEL 12.00" B=13
17	370302	1	GREY COUPLING HOSE	60	740731	1	18G BLACK 11.00" B=14
18	370309	1	GREY LATCH BAG CLIP	61	741011	1	WIRE HARNESS PS-2
19	370311	1	GREY COVER BAG LATCH	62	410-4419AA	2	POP RIVET
20	370310	1	GREY BUTTON VAC FTR	63	370313	1	GREY CORD HOOK
21	370182	1	CAM, LOCK & RELSE BLACK	64	711503	1	WSR-FLT #10
22	370183	1	COVER, VAC MOTOR BLACK	65	710355	2	SCR-MC 10-32 X .50 ZINC
23	370184	1	WIRE FORM, LOCK-RELEASE	66	711502	4	WSR-FLT #8
24	370185	1	SPRING, COVER BUTTON	67	715154	1	DECAL-CAUTION INS
25	370186	1	SPRING-LATCH BAG .236 X .3 X 1	68	715155	1	DECAL-HOSE INSERT
26	370304	1	GREY HANDLE TRANSPORT	69	715229	1	DECAL-RUNNER
27	370188	1	LENSE-BAG FULL LIGHT	71	715015	1	DECAL-WARNING 1.25 X 2.75
28	370312	1	GREY COVER LATCH	72	370207	1	INSULATOR PAD, VAC MOTOR
29	370190	1	FLTR FRAME, VAC MTR BLK	73	715178	1	DECAL-BAG INSTALL
30	370305	2	TAB HOLDDOWN GREY	74	190010	1	STRAIN RELIEF
31	370306	1	GREY LATCH	75	370068	2	CARBON BRUSH (380054)
32	370307	1	GREY COVER ELECTRICAL	76	740789	1	18G GRN/YEL 5.50" B= 4
33	370195	1	SPRING-CORD HOOK	77	370350	1	EXTENSION WAND (not shown)
34	370196G	1	ACCESSORY CLIP LT GREY				
35	370197	1	SPRING-LATCH BAG COVER SS				
36	370198	1	EXTRUDED HANDLE MCH'D				
37	370199	1	GASKET 3/16 X 5/16 EXTRD				
38	49002	1	BAG, 10 Packages of 10				
39	711401	1	NUT-RIV 10-32				
40	370204	1	BACKER PLATE				
41	715171	1	DECAL-BASE RELEASE NS				
42	370303	1	GREY REAR VAC COVER				
43	715172	1	DECAL-HANDLE INSERT PS-2				
44	711168	4	SCR-ST-B 10-32 X .50 ZINC				



# HEAD ASSEMBLY – PARTS DIAGRAM



# HEAD ASSEMBLY PARTS LIST

Item	Part No.	Qty.	Description	Item	Part No.	Qty.	Description
1	370314	1	GREY TOP COVER 14"	45	370050	1	CENTER WHEEL AXLE
2	370117	1	COUPLING HOUSING / BASE	46	370040	1	BUMPER MOLDED
2A	370141	1	COUPLING HOUSING COMP	47	710362	4	SCR-MC 10-32X1.25 ST PL
3	370088	1	GROMMET-CORD LINE	48	710130	2	SCR-MC 8-32 X .62 NICKEL
4	740729	1	CORD-18GA-3 11.5IN BLACK	49	710010	1	SCR-MC OH 6-32 X .37
5	715146	1	DECAL-BRUSH MONITOR	50	370084	1	PUSHNUT BOLT RETAINER
6	370030	1	UPRGT SWITCH FINGER BLK	51	711502	4	WSR-FLT #8
7	740701	1	SWITCH-MINI 15A .5HP	52	370172	2	BEARING-PATRIOT NECK .876 X .9
8	370059	1	COUPLING SWITCH COVR BLK	53	711577	2	WSR-FLT .260 X .50 X .020
9	370203	2	FELT RING CPLNG FLANGE	54	715156	1	DECAL-CAUTION BRUSH STAR
10	370210	1	INSULATOR BRUSH MOTOR 14	55	370113	2	STRAIGHT KNURLED PIN
11	370008	2	COUPLING PIVOT PLT BLACK	56	711523	1	WSR-WAVE .37 X .68 X .08
12	370085	1	FELT STRIP-BASE COVER	57	740799	1	18G GRN/YEL 4.50" B= 4
13	370091	1	GASKET-INTAKE COVER 8"	58	715005	1	DECAL- AUTOMATIC HEIGHT ADJUST
14	370090	1	GASKET-INTAKE COVER 11"				
15	370277	1	BRUSH ASY COMP PS II 14				
16	370022	1	BRSH END PLT/DRIVE BLACK				
17	370052	1	BRUSH DRIVE PULLEY				
18	370043	1	BELT-BRUSH DRV 128XL025K				
19	370209	1	PULLEY, BRUSH MOTOR				
20	740700	1	MOTOR-BRUSH 14" 120V				
21	370069	1	CARBON BRUSH (740700)				
22	370083	2	BRUSH-UPRIGHT & STRIP ASSY				
23	370044	1	BRUSH STRIP DOOR BLACK				
24	370023	1	BRSH END PLT/IDLE BLACK				
25	370077	1	BEARING-UPRIGHT BRUSH				
26	740719	1	CIRCUIT BRD-ELECT BRUSH CONTRO				
27	370092	1	CIRCUIT BOARD CUSHION 3"				
28	711181	13	SCR-ST-B HI-LO 8 X .50 ZINC				
29	370166	1	TRIPLE S MPV BRKT				
30	742749	1	CIRCUIT BRKR-PLUG				
31	370005	1	BRUSH BASE/UPRGT BLACK				
31A	370151	1	14 INCH PS-2 BASE ASSY				
32	370152	1	RUB STRIP - REPLACEMENT				
33	740036	2	TERM BLOCK-PA-27-2				
34	370064	1	STRAIN RELIEF CVR BLACK				
35	370180	1	SUPPORT, SIDE ARM BLACK				
36	370021	1	UPRIGHT FOOT RELEASE				
37	370045	1	UPRIGHT REAR AXLE				
38	370073	1	SPRING-AXLE 18" BASE ZINC				
39	370009	2	WHEEL 2 IN. MOLDED				
40	370074	2	HUBCAP UPRIGHT				
41	370075	7	PLATE - AXLE RETAINER				
42	370047	2	BRUSH - METAL PROTECTOR				
43	370071	1	WIRE FORMED PROTECTOR				
44	370031	1	CENTER WHEEL 1.5 MOLDED				

## **LIMITED WARRANTY**

Manufacturer warrants to the original purchaser/user that this product is free from defects in workmanship and materials under normal use and service for a period of one year from date of purchase. In addition, Manufacturer will, at its option, honor labor warranty claims for the first 12 months from date of sale, provided such claims are submitted through and approved by factory authorized repair stations. Manufacturer will, at its option, repair or replace without charge, except for transportation costs, parts that fail under normal use and service when operated and maintained in accordance with the applicable operation and instruction manuals.

This warranty does not apply to normal wear, or to items whose life is dependent on their use and care, such as belts, cords, switches, hoses, rubber parts, electrical motor components or adjustments.

Special warning to purchaser — Use of replacement filters and/or prefilters not manufactured by Manufacturer or its designated licensees, will void all warranties expressed or implied. A potential health hazard exists without exact original equipment replacement.

All warranted items become the sole property of Manufacturer or its original manufacturer, whichever the case may be.

Manufacturer disclaims any implied warranty, including the warranty of merchantability and the warranty of fitness for a particular purpose. Manufacturer assumes no responsibility for any special, incidental or consequential damages.

This limited warranty is applicable only in the U.S.A. and Canada, and is extended only to the original user/purchaser of this product. Customers outside the U.S.A. and Canada should contact their local distributor for export warranty policies. Manufacturer is not responsible for costs or repairs performed by persons other than those specifically authorized by Manufacturer. This warranty does not apply to damage from transportation, alterations by unauthorized persons, misuse or abuse of the equipment, use of non-compatible chemicals, or damage to property, or loss of income due to malfunctions of the product.

If a difficulty develops with this machine, you should contact the dealer from whom it was purchased.

This warranty gives you specific legal rights, and you may have other rights which vary from state to state. Some states do not allow the exclusion or limitation of special, incidental or consequential damages, or limitations on how long an implied warranty lasts, so the above exclusions and limitations may not apply to you.